

MANES



ASH WOOD
STRUCTURE

4-LEG CHAIR AND
STOOL

MADE IN THE
EUROPEAN UNION

In a world of constant transformation, Manes stands for permanence. It is a collection that views design as a balance between function, time, and meaning, shaping spaces that are more livable, serene, and intentional.

Manes is born from the concept of permanence. Inspired by the Roman tradition of the Manes, the guardians of the home, the collection reclaims this legacy and translates it for the modern era. These pieces are designed not merely for use, but to be inhabited. Each element strikes a precise balance between materiality, form, and stillness.

Designed to complement spaces in constant evolution, Manes responds with poise and serenity. In contract settings, it brings order, efficiency, and clarity to high-traffic environments. Within the home, it integrates seamlessly, creating a quiet presence that invites one to linger.

The collection marries structural precision with visual lightness. Nothing is superfluous: every line serves a purpose, every detail an intention. The cantilevered arm, for instance, optimizes space and streamlines maintenance, effortlessly weaving functionality into the design.

Manes is more than an object; it is a place. A sanctuary of pause amidst the motion, a support that embraces. At its core, memory and the present coexist, the tangible and the symbolic, crafting an experience where rest takes on a nearly ritualistic quality.



Designed by XIMO ROCA

Although his professional career began in 1981, it was in 1989 that he founded the Ximo Roca Diseño studio. His work is characterized by an initial immersion in the business reality of his clients and by understanding the market they target. He analyzes their production systems, their capacity, their economic potential... in this way, he can offer a realistic, concrete, and specific design service to each client. Furthermore, it is essential for him to establish a direct dialogue with the company, which allows him to interpret the needs of its market and adjust his proposal, determining the level of risk for each project. The design will adapt to the market, not the other way around.

He aims for his work to enable companies to compete more effectively in the market, and this is one of his constant priorities.

3 page
4-leg chair



4 page
High/middle stool



5 page Dimensions

6 page Finishes

7 page Certificates, maintenance, cleaning and warranty

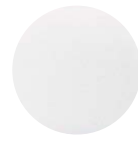
01.

Seat/Backrest

Injected polypropylene, reinforced with talc, 100% recyclable.
Optional fireproof treatment (UNE 23727/90 / UNE 23721/90 / UNE 23724).



Optional: Upholstery filled with 40 kg/m³ high density soft polyurethane foam (EN ISO 845 / BS 5852/10).



01 / White
RAL 9003



02 / Black
RAL 9005



22 / Graphite
RAL 7024



28 / Sand
RAL 1019



32 / Blue
RAL 5014

02.

Arms

Made of European white ash wood.



03 / Oak
Stain



19 / Natural
Stain



41 / White
Stain



42 / Black
Stain

03.

Structure

Made of European white ash wood. Finished with acrylic stain and clear varnish.

Joining type: dowels, tenons, grooves, and internal screws.

With nylon glides suitable for most surfaces.

Optional: Felt glides recommended for delicate floors, such as wood, and with acoustic dampening properties and sliding noise reduction.



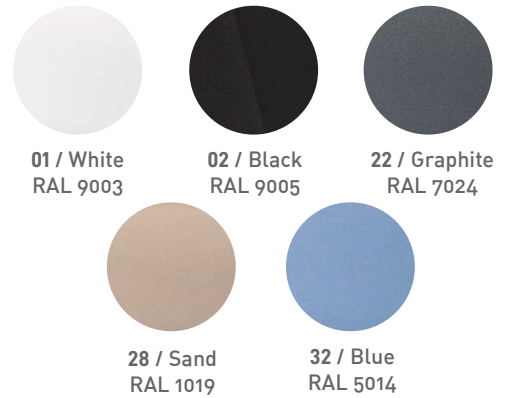
01.

Seat/Backrest

Injected polypropylene, reinforced with talc, 100% recyclable.
Optional fireproof treatment (UNE 23727/90 / UNE 23721/90 / UNE 23724).



Optional: Upholstery filled with 40 kg/m³ high density soft polyurethane foam (EN ISO 845 / BS 5852/10).



02.

Structure

Made of European white ash wood. Finished with acrylic stain and clear varnish.
Joining type: dowels, tenons, grooves, and internal screws.
With nylon glides suitable for most surfaces.
Optional: Felt glides recommended for delicate floors, such as wood, and with acoustic dampening properties and sliding noise reduction.

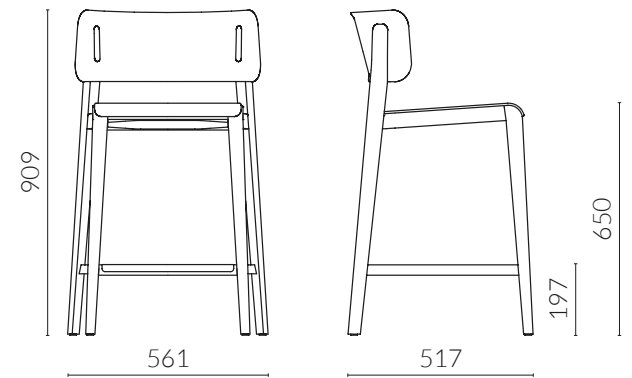
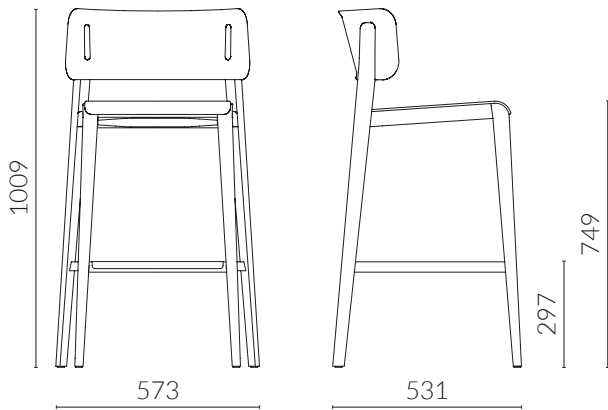
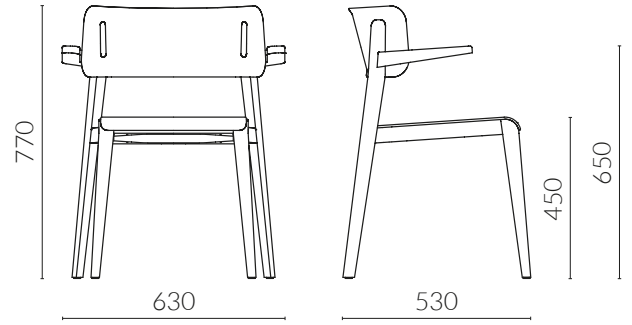
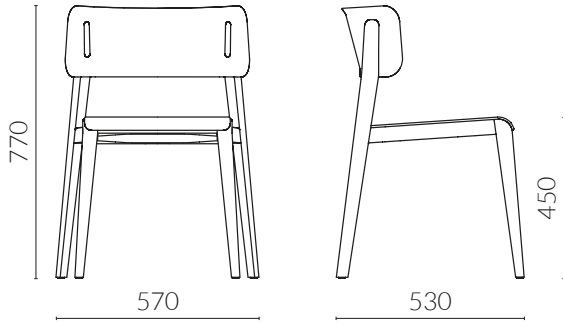


03.

Footrest

Made of 2mm thick steel sheet. Finished with epoxy paint in black (RAL 9005), white (RAL 9010), graphite (RAL 7024), sand (RAL 1019) and blue (RAL 5014).





01 BASIC (Go1)											
02 URUGUAY (Go1)											
03 HERITAGE (Go1)											
04 VISUAL (Go2)											
05 CRYSTAL (Go2)											
06 RELIFE (Go2)											
07 ONE (Go2)											
08 BABEL (Go2)											
09 TONAL (Go3)											
10 JUST (Go3)											
11 FELICITY (Go3)											
12 VALENCIA (Go3)											
13 ERA (Go4)											
14 RIVET (Go4)											
15 FLORIDA LEATHER (Go4)											

CERTIFICATES

DILE has ISO 9001 quality certificates, which establish the requirements that a company must fulfil in order to implement an adequate quality management system in its production system, ISO 14001, which implies a commitment to and sustainable management with the environment, and ISO 14006, which is a certifiable guarantee that an organisation identifies, controls and minimises the environmental impact of its products and/or services in all phases of its life cycle, including the project and design phase.

Aidimme is the Technological Institute for the processing of metals, furniture, wood, packaging and related products. It is Aidimme that tests our chairs and issues certificates accrediting their ergonomics, durability and resistance.

FAMO is the Association of Manufacturers of Furniture and General Equipment for Offices and Communities. Since 1986, it has represented and defended the interests of companies in the office and community furniture sector, promoting their image and presence in international markets. DILE has been a member of the FAMO since 2008.



Empresa asociada
AIDIMME
Instituto Tecnológico



MAINTENANCE AND CLEANING

01. FABRIC

Articles upholstered with these fabrics (BASIC, VISUAL, CRYSTAL, RELIFE, ONE, BABEL, TONAL, JUST, FELICITY, ERA AND RIVET):

- Frequent vacuuming or dry cleaning.
- Normal cleaning with a cloth slightly humidified with warm water and if the stain requires it, add a little neutral soap (ph 5.5), rinse and leave to dry in open air (avoid the sun).
- Do not use bleaching agents, abrasive products, cleaning waxes or ordinary domestic cleaning sprays.

Articles upholstered in touch leather or synthetic material. (URUGUAY AND VALENCIA):

- Normal cleaning with a microfibre cloth, slightly humidified with warm water and then dry with a dry cloth.
- Stains should be treated as soon as possible to prevent them from penetrating.
- For aggressive stains, such as pen marks, use a cloth humidified in a solution of water and diluted alcohol.
- Do not use abrasive products, cleaning waxes or cleaning sprays that are normally used in daily domestic use.
- Do not apply bitumen or chemicals.
- Never apply dry foam or scrape and/or scrub vigorously.
- Avoid exposure to heat sources.

Articles upholstered in leather:

- Clean carefully (without rubbing) with a simple cloth if possible made of microfibre humidified with water.
- If the stain is more important, add a little neutral soap (ph 5.5), rinse and leave to dry in the open air.
- For aggressive stains, such as pen marks, use a cloth humidified in a solution of water and diluted alcohol.
- Do not use abrasive products, cleaning waxes or cleaning sprays that are normally used in daily domestic use.
- Do not apply bitumen or chemicals.
- Never apply dry foam or scrape and/or scrub vigorously.
- Avoid exposure to heat sources.

02. PLASTIC AND WOODEN PARTS

- Normal cleaning with a cloth slightly humidified with warm water and a little neutral soap (ph 5.5), rinse and dry with a dry cloth.

03. METAL PARTS

- Normal cleaning with a cloth slightly humidified with warm water and a little neutral soap (ph 5.5), rinse and dry with a dry cloth.
- Polished aluminium parts can be polished with a dry cotton cloth to restore their original shine.

04. END OF LIFE PACKAGINGS

All packaging materials used can be disposed of without danger to the environment. The cardboard box can be broken or cut into smaller pieces, and the packing bag is made of polyethylene. All these packaging materials can be taken to a waste collection center or deposited at a recycling station. Dispose of transport packaging in the most environmentally friendly way possible. Returning packaging materials to the material cycle saves raw materials and reduces waste production.

PRODUCT

All Dileoffice products have a high degree of recyclability at the end of their life. After separation of their components, the majority of them can be dismantled, this facilitates the separation of the different materials. It is recommended to deliver them to a recycling center for proper separation and processing, thus contributing to the environment.

WARRANTY

The guarantee period is 5 years from the invoice date, during which time DILE undertakes to replace defective or broken parts. DILE will not be responsible for

the improper use of our products and no guarantee will be given for deterioration due to incorrect use and/or for the use of products that are not recommended for

maintenance. It is possible to extend the guarantee for specific projects/products by contacting the sales department.