

XL+



**BACKREST
ADJUSTABLE IN
HEIGHT**

**SYNCHRO-SLIDE
MECHANISM**

**MADE IN THE
EUROPEAN UNION**

A highly functional directional chair. Enveloping, sinuous, efficient and extremely comfortable. An infinite choice of combinations and finishes to find the perfect posture. Its new seat with viscoelastic base gives it a unique and exclusive comfort.



3 page
High/Low chair



-
- 5 page Dimensions
 - 6 page Sustainable XL+
 - 7 page Ergonomics
 - 8 page Finishes
 - 9 page Instructions for use / Arms
 - 12 page Instructions for use / Mechanisms
 - 13 page Assembly instructions
 - 15 page Certificates, maintenance, cleaning and warranty

01.

Backrest

Adjustable in height. Structure made of 15 mm thick beech plywood (MQ cert. 07-175), covered with fireproof injected foam (UNE EN 1021-2/06 / BS-5852/06) of high density expanded polyurethane of 60 kg/m³ (EN ISO 845).

02.

Seat

Seat exterior in black injected polypropylene plastic, 100% recyclable. Optional fireproof treatment (UNE 23727/90 / UNE 23721/90 / UNE 23724). Beech plywood interior (MQ cert. 07-175), covered with 60 kg/m³ high density expanded polyurethane fireproof foam (EN ISO 845).

Seat composed of a double density foam injection and a viscoelastic top layer and combined double and simple flange stitching.

It is equipped with a seat adjustment system that works independently of the mechanism, and has 5 different positions to adapt the depth of the sitting position and a translation of 6 cm.

03.

5-position synchro mechanism (BS 5459 part 2/00 A.5.5 / ANSI BIFMA x5.1-2011/5/6/10)

The synchro mechanism allows the seat and backrest to tilt synchronously with the central axis of the chair, but independently for models that are not monocoque. Thus, it is possible to adjust the degree of inclination of the backrest and seat.

Characteristics of this system are the following:

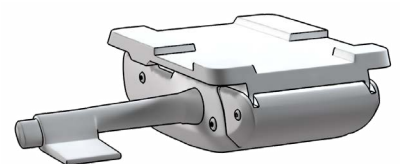
- Up to 20° of backrest inclination, with 5 locking positions by button.
- Up to 6° of seat inclination, which is the working position 0°.
- Self-weighting function from 65 to 150 kg.



04.

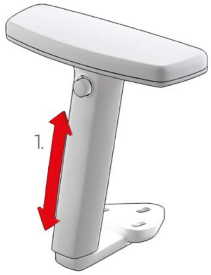
Gas column, bases and wheels

- Elevation using a class 4 black gas lift, tested for users weighing up to 150 kg.
- Flat base in polished aluminum, 72 cm diameter. This model comes with double Desmopan rubber wheels 65 mm diameter with chrome finish.
- Flat base in black nylon, 68 cm diameter. This model comes with double Desmopan rubberized nylon wheels of 65 mm diameter.
- The base connection bolt has a circular nylon ring to prevent noise when used on metal or aluminum bases.
- Optional: Anti-slip gliders in black nylon.



05.

Armrests (optional)



- BR02/BR23: Height adjustable, black or white polypropylene injection molded. Black polyurethane injection molded armrests.

1. Height adjustment 11 cm, with 10 locking positions.



-BR03: 3D, black polypropylene injection. Armrests in black polyurethane injection.

1. Height adjustment 11 cm, with 10 locking positions.
2. Multi-position adjustment of the armrest It can be slid 19 cm forward and backward, and 6 cm to the side, and can adopt any position between these measurements.



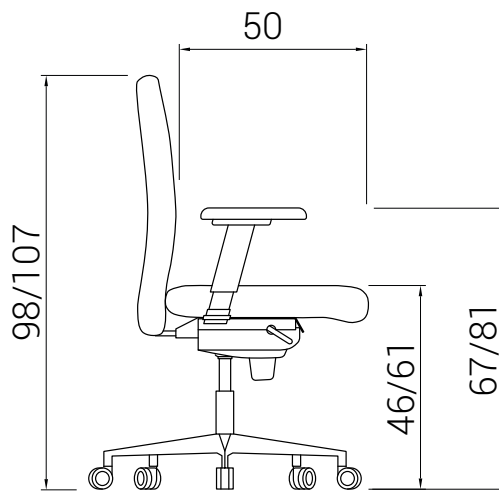
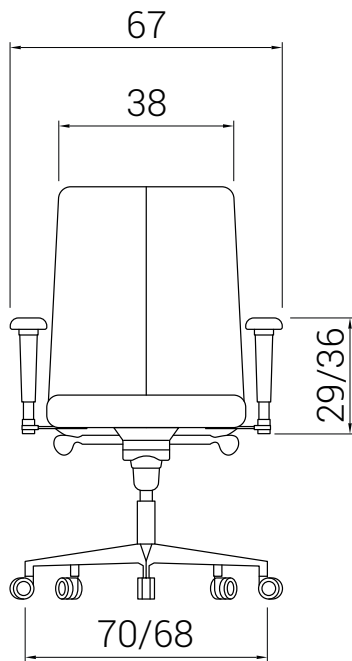
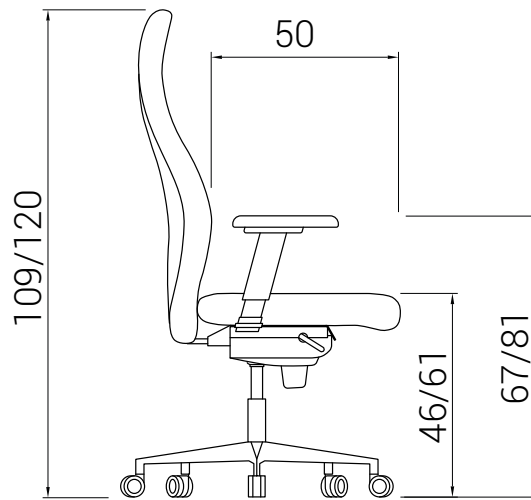
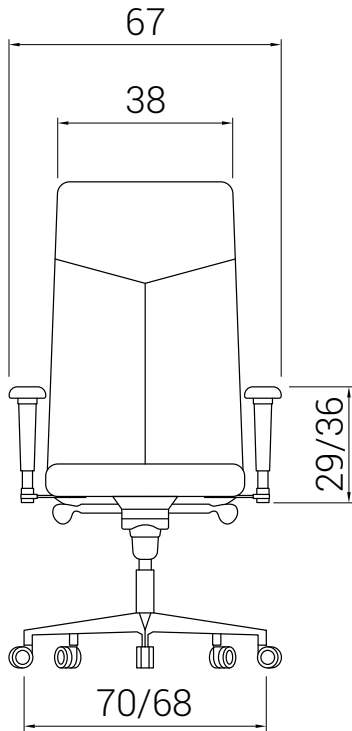
-BR04: 4D, black polypropylene injection. Polyurethane armrests.

1. Height adjustment 7 cm, with 6 locking positions.
2. Armrest depth adjustment, 3 cm in each direction.
3. Rotation of the armrest, 30° maximum in each direction.
4. width adjustment between the armrests, up to 3 cm in each direction.



-BR24: Fixed, in aluminum injection. Armrests in black polypropylene.





XL+
SUSTAINABLE


95%
RECYCLABLE

36% Metal
1% Polypropylene
10% Other plastic materials
13% Wood
40% Others



BACKREST

Structure made of beech plywood covered with injected foam of high density expanded polyurethane

SEAT

Exterior in injected polypropylene plastic. Beech plywood interior covered with high density expanded polyurethane fireproof foam.

MECHANISM
in steel.

BASE
in black nylon or polished aluminium.

WHEELS
double rubber of Desmopan.

LOW CHAIR



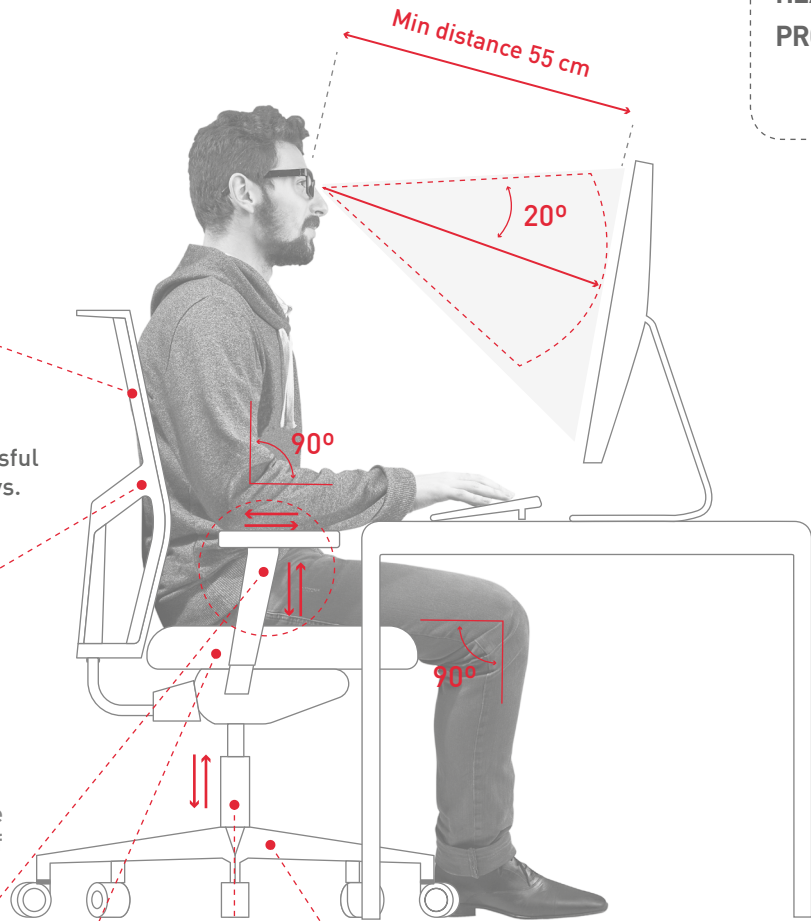
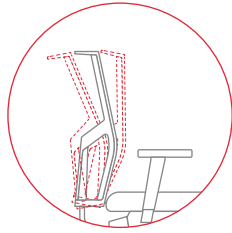
- ✓ 100% recyclable cardboard packaging, made from 90% recycled materials.
- ✓ Dileoffice is certified according to ISO 9001:2015, 14001:2015 and 14006:2020. All phases of the production process, from the receipt of components to the delivery of the finished product, are meticulously managed to minimise the impact on the environment.
- ✓ Dileoffice chairs are assessed by AIDIMEE to certify the compliance of each product with UNE EN standards.
- ✓ If it is necessary to replace the entire chair or any of its parts, the end customer will be informed of the recycling management of each element according to the composition of the materials.
- ✓ Transport is carried out by scheduled routes, giving priority to fuel savings. We use our own transport trucks, always trying to use the maximum volume, and minimising the volume in the packaging.
- ✓ The recyclability percentage is obtained from an average of the elements that compose the analyzed family.

Last update: December 2024

DILE ERGONOMICS



GOOD POSTURE IS ESSENTIAL TO AVOID HEALTH PROBLEMS



01.
THE INCLINATION OF THE SEAT AND THE BACKREST
 A synchronized movement of the seat and backrest, configure a very successful solution for long working or study days.

02.
LUMBAR ADJUSTMENT
 The backrest must provide good support for the entire back and be adapted to the lumbar part. The lumbar adjustment mechanism allows the curvature of the chair to be adjusted according to the curvature of the user's back for better support.

03.
ADJUSTABLE ARMRESTS
 The forearms should be parallel to the work surface and form a right angle with the arm.

04.
THE STRENGTH OF THE SEAT
 The seat must offer firmness and adaptation to the user's physiognomy.

05.
CHAIR HEIGHT ADJUSTMENT
 The possibility of adjusting the height allows for the correct posture, with the feet comfortably resting on the floor and the legs in a horizontal position.

07.
FABRIC
 Depending on the area of use and climate, one fabric or another should be chosen.

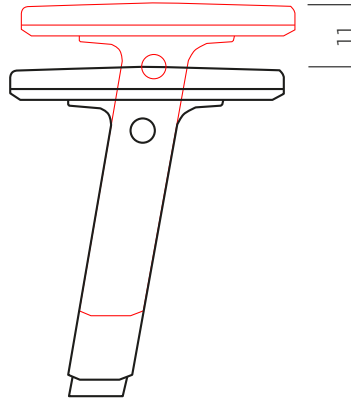
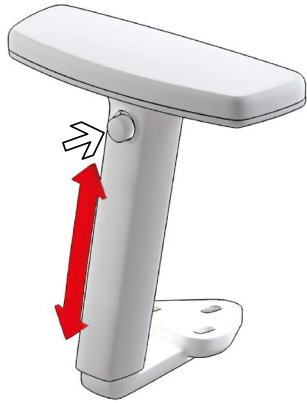
06.
BASES
 The base of the chair should have 5 points of support for the wheels on the ground, to facilitate their movement with minimal effort.

“Don't forget to take a break to stretch and move around regularly”

| | | | | | | | | | | | |
|------------------------------------|--|--|--|--|--|--|--|--|--|--|--|
| 01 BASIC (Go1) | | | | | | | | | | | |
| 02 URUGUAY (Go1) | | | | | | | | | | | |
| 03 VISUAL (Go2) | | | | | | | | | | | |
| 04 CRYSTAL (Go2) | | | | | | | | | | | |
| 05 RELIFE (Go2) | | | | | | | | | | | |
| 06 ONE (Go2) | | | | | | | | | | | |
| 07 BABEL (Go2) | | | | | | | | | | | |
| 08 TONAL (Go3) | | | | | | | | | | | |
| 09 JUST (Go3) | | | | | | | | | | | |
| 10 FELICITY (Go3) | | | | | | | | | | | |
| 11 VALENCIA (Go3) | | | | | | | | | | | |
| 12 ERA (Go4) | | | | | | | | | | | |
| 13 RIVET (Go4) | | | | | | | | | | | |
| 14 FLORIDA LEATHER (Go4) | | | | | | | | | | | |

1. Arms

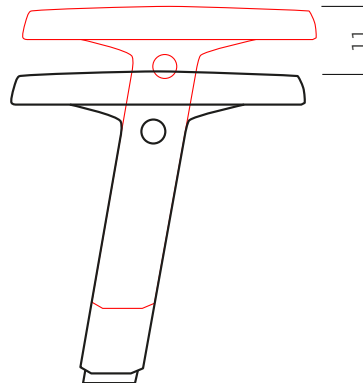
BR02/BR23



HEIGHT ADJUSTMENT

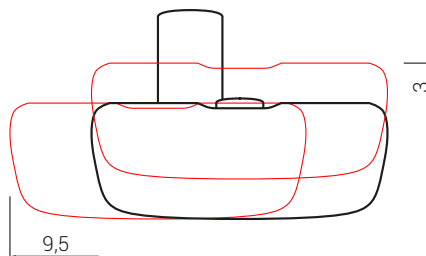
Press the button on the armrest (arrow) and without releasing it, adjust the height of the armrest. Once in the desired position, release the button.

BR03



ADJUSTING THE HEIGHT

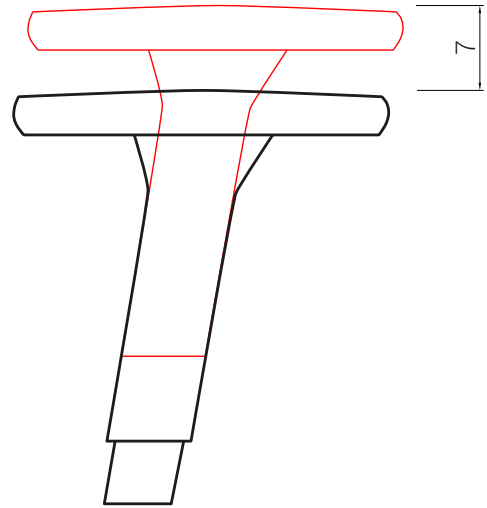
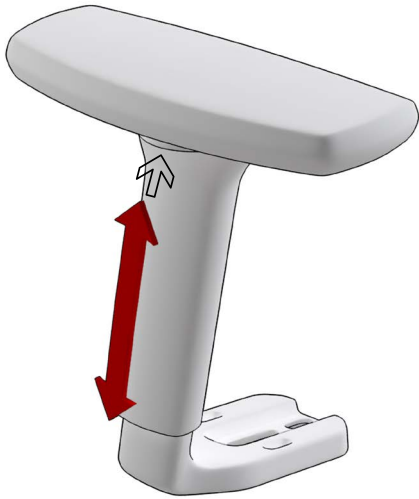
Press the button on the armrest (arrow) and without releasing it, adjust the height of the armrest. Once in the desired position, release the button.



MULTI-POSITION ADJUSTMENT

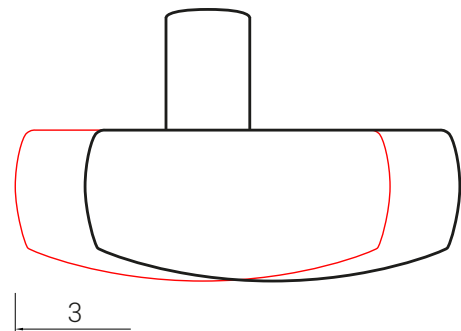
Press the armrest button (arrow) and, without releasing it, adjust the position of the armrest both lengthwise and widthwise. Once in the desired position, release the button. It moves in each direction by 9.5 cm lengthwise and 3 cm widthwise.

BR04



HEIGHT ADJUSTMENT

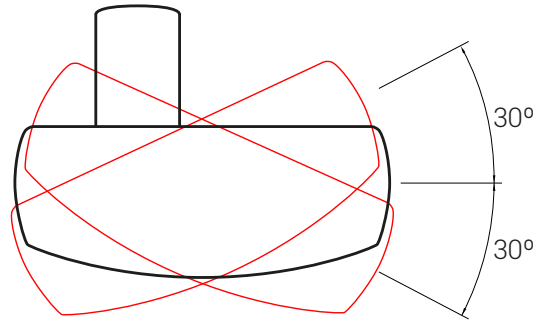
Press the button on the armrest (arrow) and without releasing it, adjust the height of the armrest. Once in the desired position, release the button.



ADJUSTING THE DEPTH OF THE ARMREST

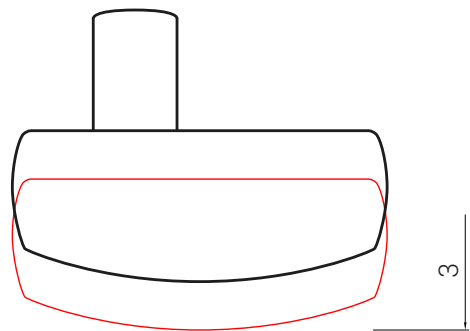
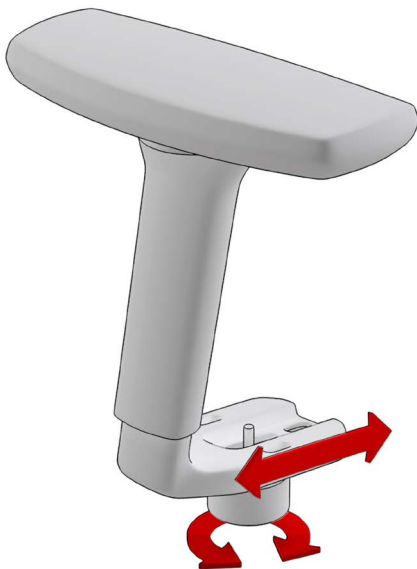
By pressing firmly on the armrest, the armrest is pushed forward or backward to the desired position. It moves 3 cm in each direction.

BR04



ARMREST ROTATION

By pressing firmly on the armrest, a force is produced by turning the armrest inward or outward until it is in the desired position.

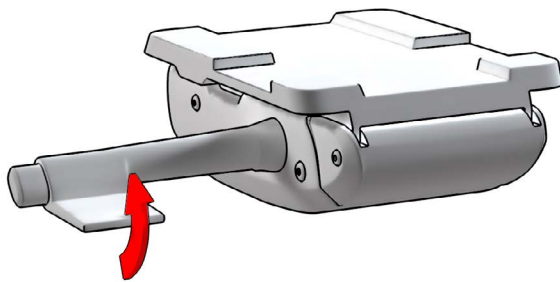


ARMREST WIDTH ADJUSTMENT

Loosen the screw on the armrest. Move the armrest to the desired position. Tighten the lower screw.

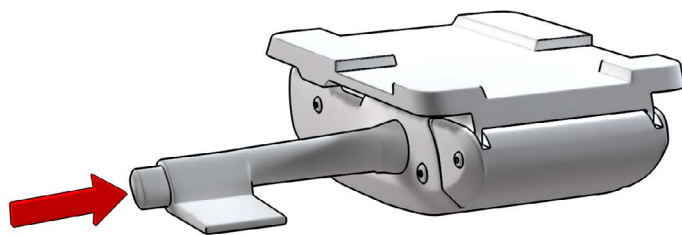
2. Mechanism

SYNCHRO-SLIDE MECHANISM



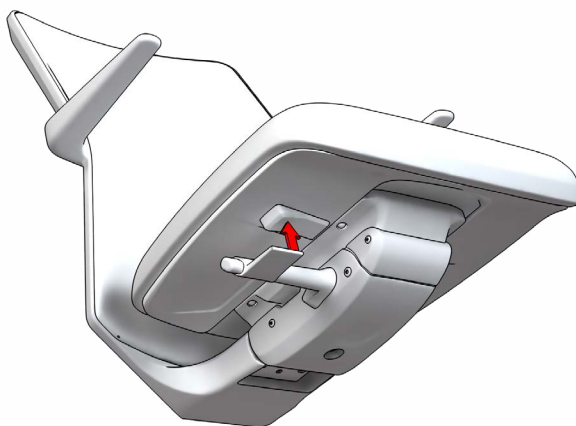
GAS LIFT

By lifting the handle we unlock the gas column. Without weight the chair lifts up. With the user seated, the chair goes down. Once the handle is released, the gas column is blocked again.



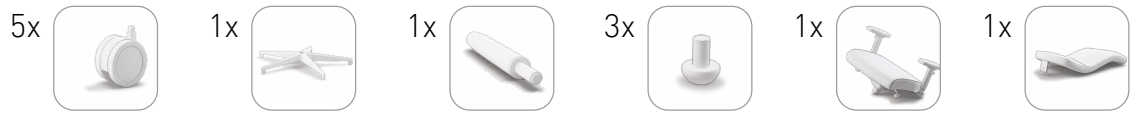
ADJUSTMENT FOR SEAT/BACKREST INCLINATION (SYNCHRO)

At the end of the gas lift handle there is a button. By pressing it, we release the synchro device, which allows, with the user seated, to modify the angle of the seat and backrest inclination in a synchronized way. By releasing the button, the seat and backrest are fixed in the desired position. To unlock it, press the button and use your back to exert weight.

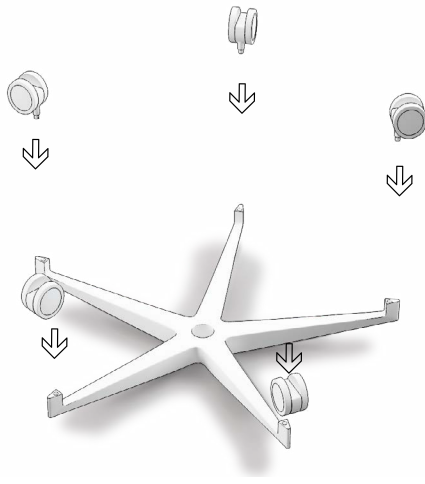


ADJUSTING THE SLIDING OF THE SEAT (SLIDING SYSTEM)

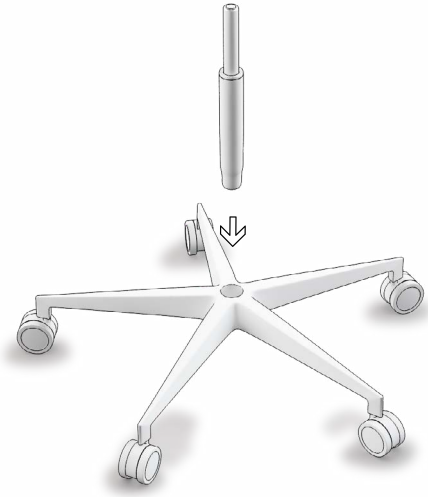
There is a button on the lower right side of the seat. Pressing it upward releases the seat slider. Once it has been moved to the desired position, we release the button, establishing the position of the seat.



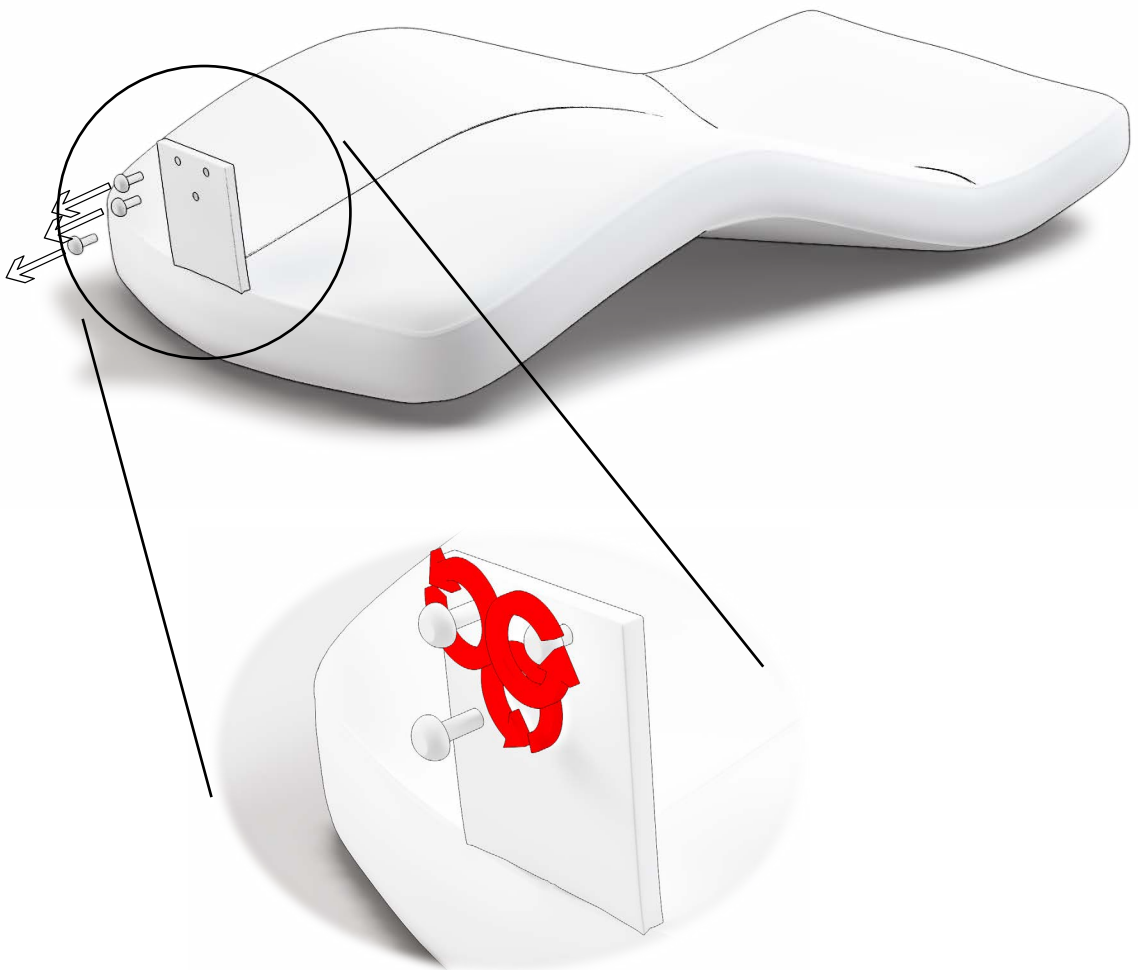
1.



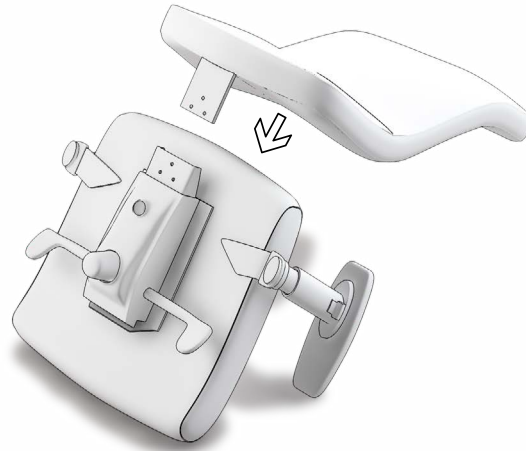
2.



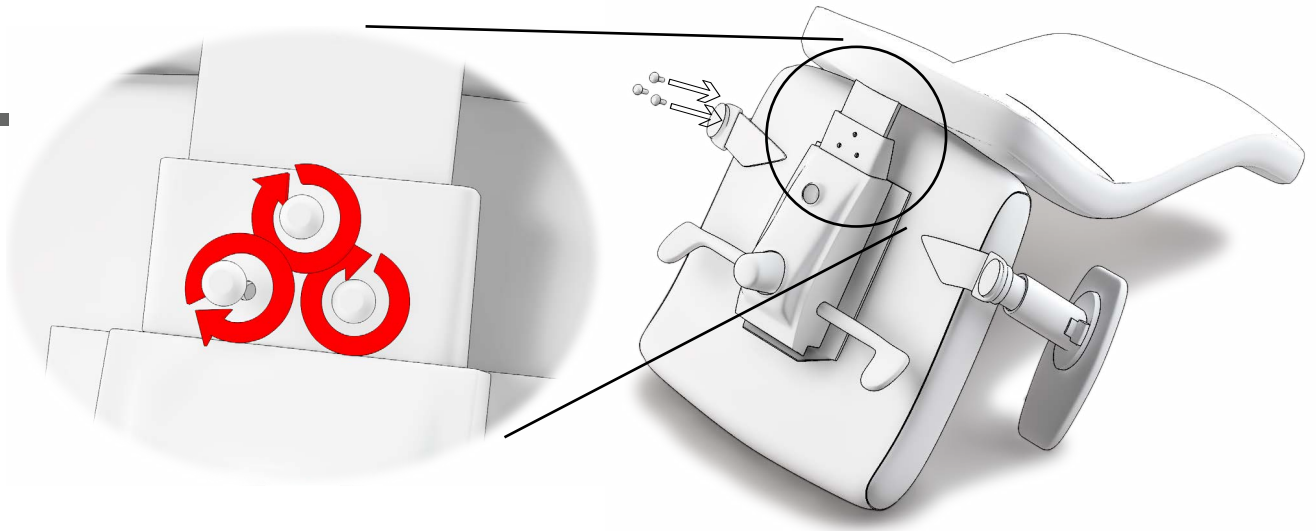
3.



4.



5.



6.



CERTIFICATES

DILE has ISO 9001 quality certificates, which establish the requirements that a company must fulfil in order to implement an adequate quality management system in its production system, ISO 14001, which implies a commitment to and sustainable management with the environment, and ISO 14006, which is a certifiable guarantee that an organisation identifies, controls and minimises the environmental impact of its products and/or services in all phases of its life cycle, including the project and design phase.

Aidimme is the Technological Institute for the processing of metals, furniture, wood, packaging and related products. It is Aidimme that tests our chairs and issues certificates accrediting their ergonomics, durability and resistance.

FAMO is the Association of Manufacturers of Furniture and General Equipment for Offices and Communities. Since 1986, it has represented and defended the interests of companies in the office and community furniture sector, promoting their image and presence in international markets. DILE has been a member of the FAMO since 2008.



Empresa asociada
AIDIMME
Instituto Tecnológico



MAINTENANCE AND CLEANING

01. FABRIC

Articles upholstered with these fabrics (BASIC, VISUAL, CRYSTAL, RELIFE, ONE, BABEL, TONAL, JUST, FELICITY, ERA AND RIVET):

- Frequent vacuuming or dry cleaning.
- Normal cleaning with a cloth slightly humidified with warm water and if the stain requires it, add a little neutral soap (ph 5.5), rinse and leave to dry in open air (avoid the sun).
- Do not use bleaching agents, abrasive products, cleaning waxes or ordinary domestic cleaning sprays.

Articles upholstered in touch leather or synthetic material. (URUGUAY AND VALENCIA):

- Normal cleaning with a microfibre cloth, slightly humidified with warm water and then dry with a dry cloth.
- Stains should be treated as soon as possible to prevent them from penetrating.
- For aggressive stains, such as pen marks, use a cloth humidified in a solution of water and diluted alcohol.
- Do not use abrasive products, cleaning waxes or cleaning sprays that are normally used in daily domestic use.
- Do not apply bitumen or chemicals.
- Never apply dry foam or scrape and/or scrub vigorously.
- Avoid exposure to heat sources.

Articles upholstered in leather:

- Clean carefully (without rubbing) with a simple cloth if possible made of microfibre humidified with water.
- If the stain is more important, add a little neutral soap (ph 5.5), rinse and leave to dry in the open air.
- For aggressive stains, such as pen marks, use a cloth humidified in a solution of water and diluted alcohol.
- Do not use abrasive products, cleaning waxes or cleaning sprays that are normally used in daily domestic use.
- Do not apply bitumen or chemicals.
- Never apply dry foam or scrape and/or scrub vigorously.
- Avoid exposure to heat sources.

02. PLASTIC AND WOODEN PARTS

- Normal cleaning with a cloth slightly humidified with warm water and a little neutral soap (ph 5.5), rinse and dry with a dry cloth.

03. METAL PARTS

- Normal cleaning with a cloth slightly humidified with warm water and a little neutral soap (ph 5.5), rinse and dry with a dry cloth.
- Polished aluminium parts can be polished with a dry cotton cloth to restore their original shine.

04. END OF LIFE PACKAGINGS

All packaging materials used can be disposed of without danger to the environment. The cardboard box can be broken or cut into smaller pieces, and the packing bag is made of polyethylene. All these packaging materials can be taken to a waste collection center or deposited at a recycling station. Dispose of transport packaging in the most environmentally friendly way possible. Returning packaging materials to the material cycle saves raw materials and reduces waste production.

PRODUCT

All Dileoffice products have a high degree of recyclability at the end of their life. After separation of their components, the majority of them can be dismantled, this facilitates the separation of the different materials. It is recommended to deliver them to a recycling center for proper separation and processing, thus contributing to the environment.

WARRANTY

The guarantee period is 5 years from the invoice date, during which time DILE undertakes to replace defective or broken parts. DILE will not be responsible for

the improper use of our products and no guarantee will be given for deterioration due to incorrect use and/or for the use of products that are not recommended for

maintenance. It is possible to extend the guarantee for specific projects/products by contacting the sales department.