



The CLAY chair, in a caressing and elegant lines and rounded edges that embrace the sitter, is designed so that sitting on it provides incredible support and comfort for hours. The lightweight design and charming look make it suitable as a guest chair, as a conference room chair with or without wheels and Bar Stool.

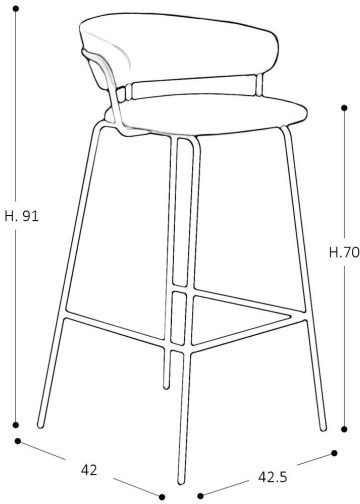
Materials

* **Seat and backrest:** Fabric Upholstered

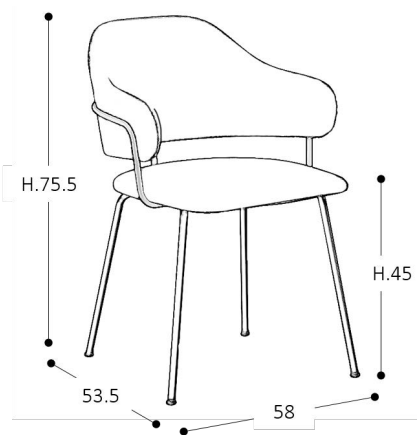
* **Base:** metal Tube base , 4-star base with castors

DIMENSIONS

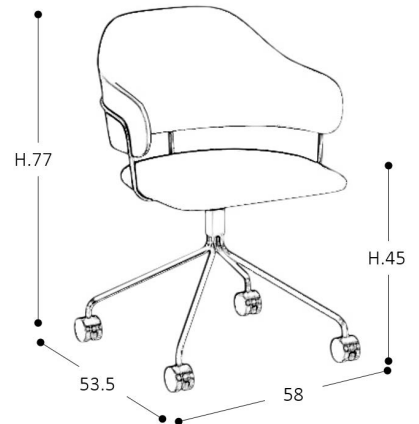
4-Legged Bar Stool



4-Legged side chair



4-star on Castors side chair



FINISHES

Backrest and seat



- Various Fabric upholstery for Seat and back

Frame

